

Sampling Media & Accessories

Sensidyne provides sampling media and accessories for a wide array of airborne substances. This sampling media is available either as individual components or as pre-loaded cassettes, complete with filters and support pads.

Cassette sizes, types

37 mm – Available in both a standard two-piece style and a three-piece style. These cassettes meet the NIOSH requirements for sampling most dusts, fumes and mists. Three-piece cassettes allow open face sampling, typically for asbestos and other fibers.

25 mm – Available only in three-piece style, this cassette is used only for "Open Face" sampling and meets specifications for asbestos sampling, as described by NIOSH, OSHA and EPA. It has a two-inch extension cowl, assuring proper fiber distribution for microscopic fiber counts. The carbon imbedded body reduces static charge.

Membrane types

PVC, Teflon, Glass fiber, Silver, Quartz and MCE (Mixed Cellulose Ester).

Cellulose shrink seals

Available in both 25mm and 37mm sizes, these bands are applied wet around the cassette and shrink when dry to form a tight seal. The seal provides a positive non-tampering indication when the cassette is received by the lab for analysis.

Cassette holder

Consists of tubing with clip, designed to mount the cassette to the worker's collar close to the breathing zone.

While selection of a specific cassette size/type and filter membrane should be determined by review of the NIOSH sampling guide, the following rules generally apply:

- All dusts, fumes and powders sampling – use 37mm filter and cassette.
- All asbestos and fibers sampling – use 25mm filter and cassette.
- Dust sampling – use 0.5 micron (pore size) PVC filter membrane.
- Most heavy metal (such as lead fume) sampling – use 0.8 micron MCE (mixed ester of cellulose) filter membrane.*

*Metals form airborne vapors when heated. As these vapors cool, they become small airborne particulates, known as fumes.



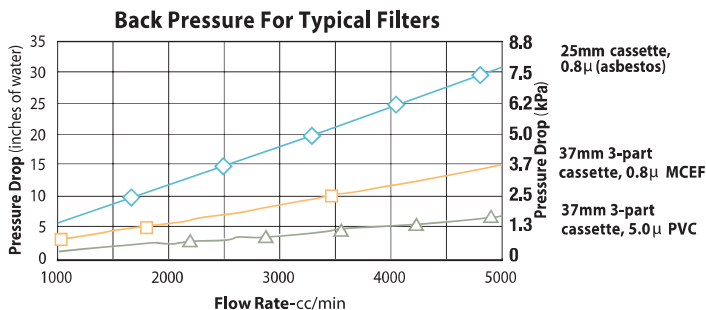
Two-piece 37mm cassette



Three-piece 37mm cassette



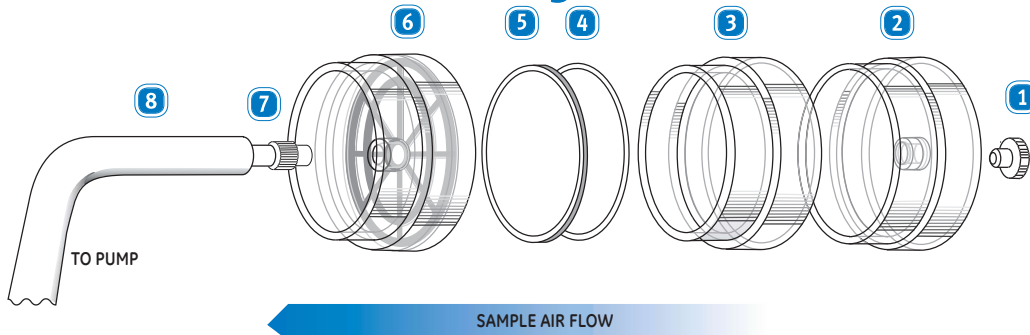
Three-piece 25mm cassette, Classic Style



Pre-Loaded Cassettes & Cassette Housings

Polycarbonate	Sensidyne Part Number
CASSETTE, 37mm, 2 pc, 0.8µm POLYCARBONATE, 50/bx	GC728PC
CASSETTE, 37mm, 3 pc, 0.4µm POLYCARBONATE, 50/bx	GC7345PC
CASSETTE, 37mm, 3 pc, 0.8µm POLYCARBONATE, 50/bx	GC738PC
CASSETTE, 25mm, 3 pc, 0.8µm POLYCARBONATE, 50/bx	GC2008PC

Cassette Assembly



- 1 Seal Plug** – Provided on the outlet and inlet (if applicable) of cassette and replaced after sampling when cassette is sent to lab.
- 2 Cassette Inlet Cap** – Used in "Closed Face" sampling and removed on three-piece 37mm cassette in "Open Face" sampling. Always removed from 25mm cassette for asbestos sampling and replaced for shipment to lab.
- 3 Center Spacer Ring** – Provided with three-piece 37mm cassette to allow for "Open Face" Sampling, but not provided with two-piece 37mm cassette. In 25mm asbestos cassette, always used for 'Open Face' method, this space is provided as an elongated 2- inch section.
- 4 Filter Membrane** – Specific filter membrane used varies with application. (Refer to NIOSH Method Guidelines, found in Air Sampling Guide tables starting on page 30.)
- 5 Support Pad** – Consists of thick layer of mixed cellulose.
- 6 Gridded Filter Base** – Gridded design of cross-sectional area helps to more evenly distribute pump vacuum.
- 7 Luer Fitting** – Inserted in end of hose to mate with 37mm cassette outlet. 25mm asbestos cassette does not require a Luer Fitting.
- 8 Holder Tubing** – Holder with collar clip is connected by tubing to Gilian Pump.

Pre-Loaded Cassettes & Cassette Housings

Description	Sensidyne Part Number	Main Application
Pre-Loaded Cassettes		
Cassette, 25mm, Classic Style, PCM, 0.8µm, MCE Black Gridded, 50/bx	GCU25080BLG	Asbestos, OSHA PCM
Cassette, 25mm, Classic Style, PCM, 0.8µm MCE Green Gridded, 50/bx	GCU25080GRG	Asbestos, OSHA PCM
Cassette, 25mm, Classic Style, PCM, 0.8µm, MCE, No Grid, 50bx	GCS25080	Asbestos, OSHA PCM
Cassette, 25mm, Classic Style TEM, 0.45µm, MCE, 50/bx	GCS25455-50	Asbestos, EPA-AHERA TEM
Cassette, 25mm Micro Vac, ea	GCU25MV	
Cassette, 37mm, 3pc, 0.8µm MCE 50/bx	GCU37080	Lead, Metals, Welding Fume
Cassette, 37mm 2pc 5.0µm PVC, 50/bx	GCU37500PVC-2	Total Dust
Cassette, 37mm, 3pc, 5.0µm PVC, 50/bx	GCU37500PVC	Total & Respirable Dust & Silica, Hexavalent Chromium
Cassette, 37mm, 3pc, 1.0µm, PTFE (Teflon), 50/bx	GCU731TF	Coal Tar Pitch Volatiles, Benzene Solubles, NIOSH
Cassette, 37mm 3pc w/ Type A/E Glass Fiber, 50/bx	GCU37AE	Coal Tar Pitch Volatiles, OSHA
Cassette, 37mm 2pc w/ Type A/E Glass Fiber, 50/bx	GCU37AE-2	Coal Tar Pitch Volatiles, OSHA
Pre-Weighed Cassettes		
Cassette, 37mm 2pc 0.8µm, MCE Matched (50µg), 50/bx	GCU37080MW-2	Lead, Metals, Welding Fume
Cassette, 37mm, 3pc, 0.8µm, MCE, Matched, Unb. 50/bx	GCU37080MW	Lead, Metals, Welding Fume
Cassette, 37mm 2pc 5.0µm, PVC Matched, (50µg), 50/bx	GCU37500PVCMW-2	Total Dust
Cassette, 37mm 3pc 5.0µm, PVC Matched, (50µg), 50/bx	GCU37500PVCMW	Total & Respirable Dust & Silica
Cassette, 37mm 2pc 5.0µm, PVC Preweighed, 50/bx	GCU37500PVCPW100	Total Dust
Cassette, 37mm, 3pc, 5.0µm, PVC, Preweighed, (100µg) 50/bx	GCU37500PVCPW	Total & Respirable Dust & Silica
Mold Sampling Cassettes		
Cassette, Air-O-Cell 10/bx	GCAOC10	Mold
Cassette, Air-O-Cell 50/bx	GCAOC50	Mold
Cassette, 37mm .45µm PC Endotoxin Free, 10/bx	GCU3745EF	NA
Cassette, Carpet Sampling, 10/bx	GCCS10	NA
Sterile Cassettes		
Cassette, 37mm 3pc .45µm MCE Gridded Sterile, 50/pk	GCU3745GS	NA
Cassette, 37mm 3pc 0.8µm MCE Sterile, 50/pk	GCU37080S	NA
Cassette, 37mm 3pc 0.8µm MCE, Gridded, Sterile, 50/pk	GCU37080GS	NA

MCE = Mixed Cellulose Esters • PVC = Polyvinyl Chloride • PTFE = Teflon (DuPont Trademark) • µm or μ = micron • mm = millimeter
PCM = Phase Contrast Microscope (OSHA Asbestos Method) • TEM = Transmission Electron Microscope (EPA Asbestos Method)

Cassette Housings and Shrink Bands

Description	Sensidyne Part Number
Band, 25mm Shrink, White, 100/pk	GB25W
Band, 25mm Shrink, White, 1400/pk	GCO25DNL
Band, 25mm Shrink, Clear 1400/pk	GB25C
Band, 37mm Shrink, White 100/pk	GB37W
Band, 37mm Shrink, White, 1000/pk	GCO37DNL
Band, 37mm Shrink, Clear 100/pk	GB37C
Band, 37mm Shrink, Clear 1000/pk	GB37C1000
Band, 37mm Shrink, Yellow 100/pk	GB37Y
Band, 37mm Shrink, Yellow 1000/pk	GB37Y1000
Band, 37mm Shrink, Red 100/pk	GB37R
Band, 37mm Shrink, Red 1000/pk	GB37R1000
Housing, 25mm, Classic Style, 3pc, Conductive, 50/bx	GH25
Housing, 37mm, 3Pc, 50/bx	GCO37050
Housing, 37mm, 2Pc, 50/bx	GCO37050-2
Housing, 37mm 2pc Opaque, 50/bx	GH37-2
Housing, 37mm 3pc Opaque, 50/bx	GH37
Housing, 37mm 2pc Solvent Res, 50/bx	GH37SR-2
Housing, 37mm 3pc Solvent Res 50/bx	GH37SR
Housing, 37mm, Conductive 3pc, 50/bx	GH37C

MCE = Mixed Cellulose Esters • PVC = Polyvinyl Chloride • PTFE = Teflon (DuPont Trademark) • μm or μ = micron • mm = millimeter • PCM = Phase Contrast Microscope (OSHA Asbestos Method) • TEM = Transmission Electron Microscope (EPA Asbestos Method)

Filter Membranes & Support Pads (Pads sold separately)

Description	Part Number
Filter, MCE, 0.8 μm 25mm, PCM, with Black Grid Line, 100/pk	GF25080BLG
Filter, MCE, 0.8 μm 25mm, PCM, with Green Grid Line, 100/pk	GF25080GRG
Filter, MCE, 0.8 μm , 25mm, PCM, No Grid, 100/pk	GF25080
Filter, MCE, 0.45 μm , 25mm, TEM 100/pk	GF25450
Filter, MCE 1.2 μm 25mm, 100/pk	GF25120
Filter, MCE, 5.0 μm , 25mm, 100/pk	GF25500
Filter, MCE, 0.45 μm , 37mm, 100/pk	GF37450
Filter, MCE, 0.8 μm , 37mm, 100/pk	GF37080
Filter, MCE, 0.45 μm , 47mm, 100/pk	GF47450
Filter, MCE, 0.8 μm , 47mm, 100/pk	GF47080
Filter, PVC, 5.0 μm 25mm, 100/pk	GF25500PVC
Filter, PVC, 5.0 μm , 37mm, 100/pk	GF37500PVC
Filter, PVC, 5.0 μm 47mm, 100/pk	GF47500PVC
Filter, PTFE, with PTFE supp, 1.0 μm , 37mm, 50/pk	GCUFPT137
Filter, Glass Fiber, Binderless, 1.1 μm , 37mm, 100/pk	GF85037MM
Filter, Glass Fiber, Binderless, 1.1 μm , 8" x 10", 100/pk	GF858x10
Filter, Support Pads, Cellulosic, 25mm, 40.0 μm , 100/pk	GPG25100
Filter, Support Pads, Cellulosic, 37mm, 40.0 μm , 100/pk	GPG37100
Filter Support Pads, Porous Plastic, 25mm, 100/pk	GP25
Filter, Support Pads, Porous Plastic, 37mm, 20.0 μm , 100/pk	GPP3700
Filter, 37mm, 0.2 μm , POLYCARBONATE, PLAIN WHITE, 100/pk	GFPC0237
Filter, 25mm, 0.2 μm , POLYCARBONATE, PLAIN WHITE, 100/pk	GFPC225
Filter, 47mm, 0.4 μm , POLYCARBONATE, PLAIN WHITE, 100/pk	GFPC447
Filter, 25mm, 0.4 μm , POLYCARBONATE, PLAIN WHITE, 100/pk	GFPC4525
Filter, 37mm, 0.4 μm , POLYCARBONATE, PLAIN WHITE, 100/pk	GFPC4537
Filter, 25mm, 5.0 μm , POLYCARBONATE, PLAIN WHITE, 100/pk	GFPC525
Filter, 25mm, 0.8 μm , POLYCARBONATE, PLAIN WHITE, 100/pk	GFPC825
Filter, 37mm, 0.8 μm , POLYCARBONATE, PLAIN WHITE, 100/pk	GFPC837
Filter, Tissue Quartz, (99.90% retention of 0.3 μm DOP) 25mm, 100/pk	GF25TQ
Filter, Tissue Quartz, (99.90% retention of 0.3 μm DOP) 37mm, 25/pk	GF37TQ

MCE = Mixed Cellulose Esters • PVC = Polyvinyl Chloride • PTFE = Teflon (DuPont Trademark) • μm or μ = micron • mm = millimeter • PCM = Phase Contrast Microscope (OSHA Asbestos Method) • TEM = Transmission Electron Microscope (EPA Asbestos Method)